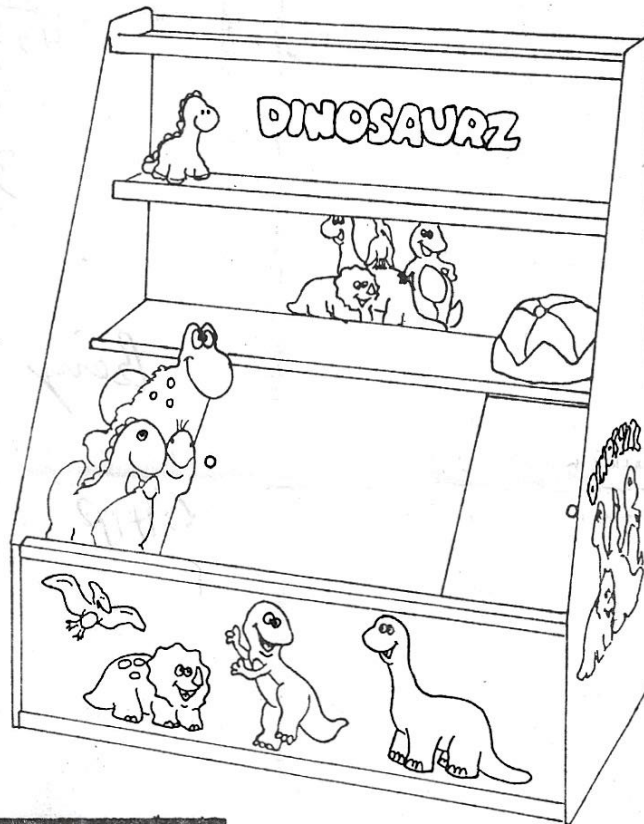


Assembly Instructions for
BOOKCASE / TOY CHEST
626

Refer To: 6260120793



This picture shows what the assembled unit will look like and can be used as a reference during assembly.

American Toy

American Toy & Furniture
P.O. Box 159
Hortonville, WI 54944
Phone: 800-248-0941

This is the assembly hardware used for this item and referred to in these instructions.



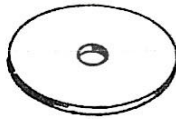
12 - #6 x 5/8" SCREWS



18 - #8 x 1" SCREWS



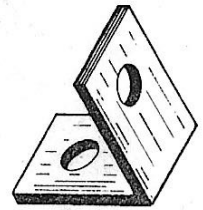
2 - 8-32 x 3/8" BOLTS



6 - WASHERS

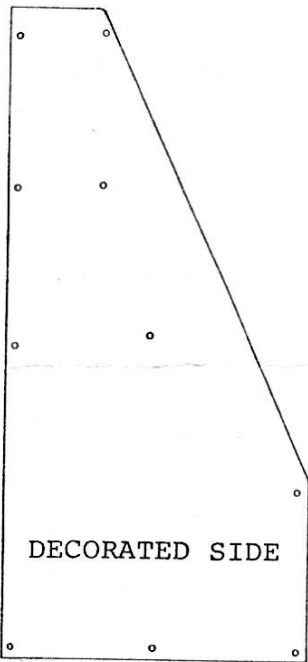


2 - 8-32 HEX NUTS

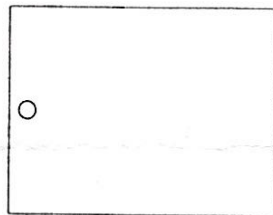


2 - ANGLE BRACKETS

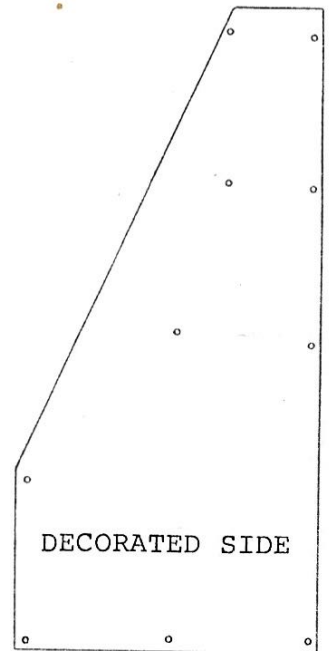
These are the principal parts used for this assembly and referred to in these instructions.



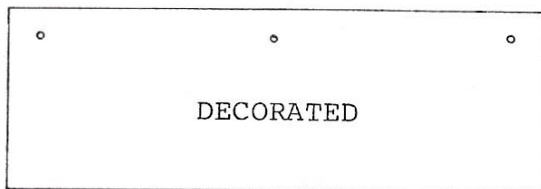
1 - LEFT SIDE PANEL



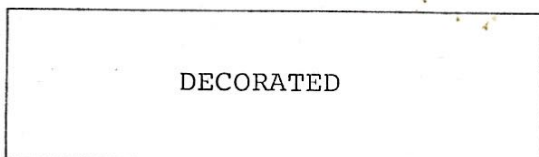
2 - CHALKBOARD DOORS



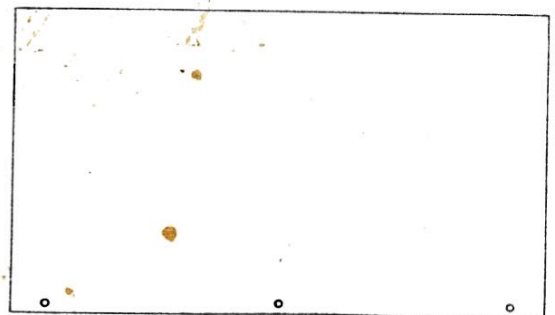
1 - RIGHT SIDE PANEL



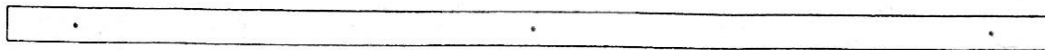
1 - TOP BACK



1 - CENTER BACK



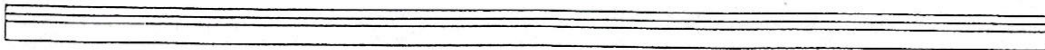
1 - BOTTOM BACK



4 - BACK RAILS



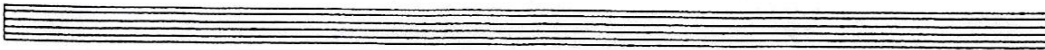
END VIEW



2 - SHELF FRONT RAILS



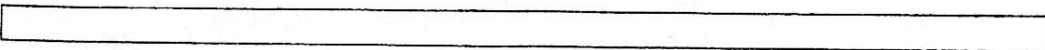
END VIEW



2 - GROOVED DOOR RAILS



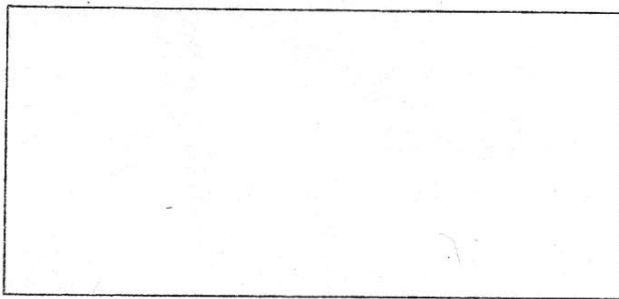
END VIEW



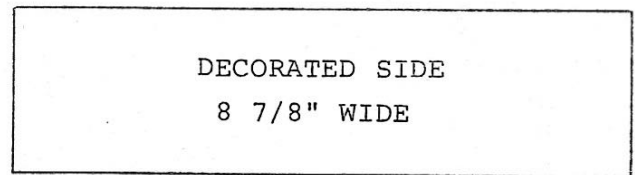
1 - BOTTOM FRONT RAIL



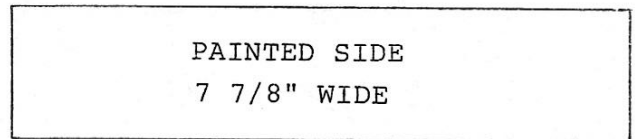
END VIEW



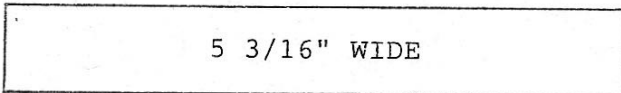
1 - BOTTOM PANEL



1 - FRONT PANEL



1 - BASE TOP PANEL



2 - SHELF PANELS

Special Notes Before You Begin:

This product is designed for assembly by an adult.

All paint and decorating materials are non-toxic for your safety.

You will need a screwdriver and pliers to assemble this unit.

Screws will turn into the wood easier if a small amount of bar soap or Vaseline is used to lubricate the screw threads during assembly.

Refer to the completed assembly picture on the front cover of the instructions often during assembly to ensure the unit is going together properly.

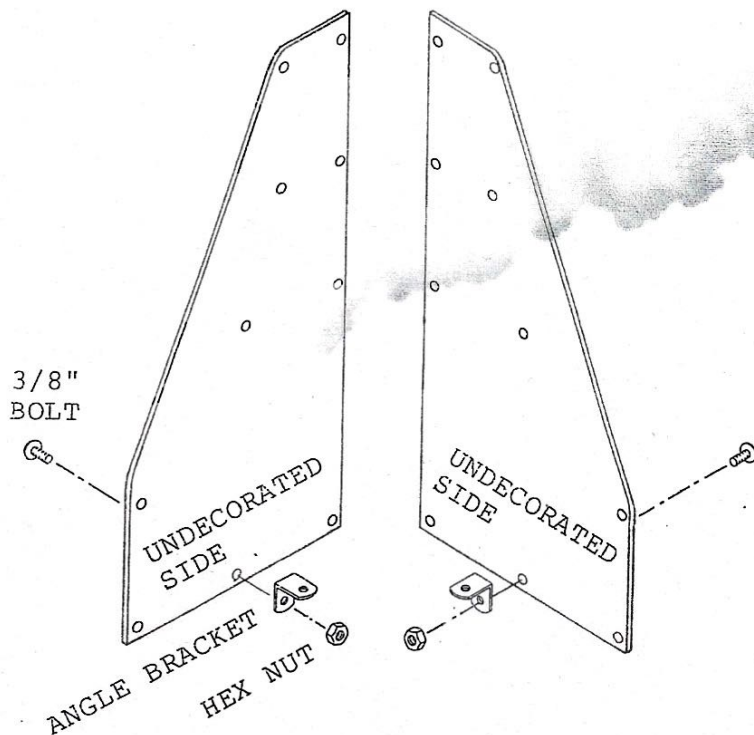
Look through these instructions to familiarize yourself with the parts, where they will be used, and how they are assembled to each other. Then, follow the instructions step-by-step and in the exact order as written to assure the fastest and easiest way to complete the unit correctly.

Locate a clean, uncluttered work area to assemble this unit.

It is helpful if when assembling this unit if you leave all the screws, bolt and washers loose until after the entire unit is assembled and then go back and tighten all the screws, bolts and nuts securely.

Be sure the points of the screws enter the small holes in the rails before tightening the screws.

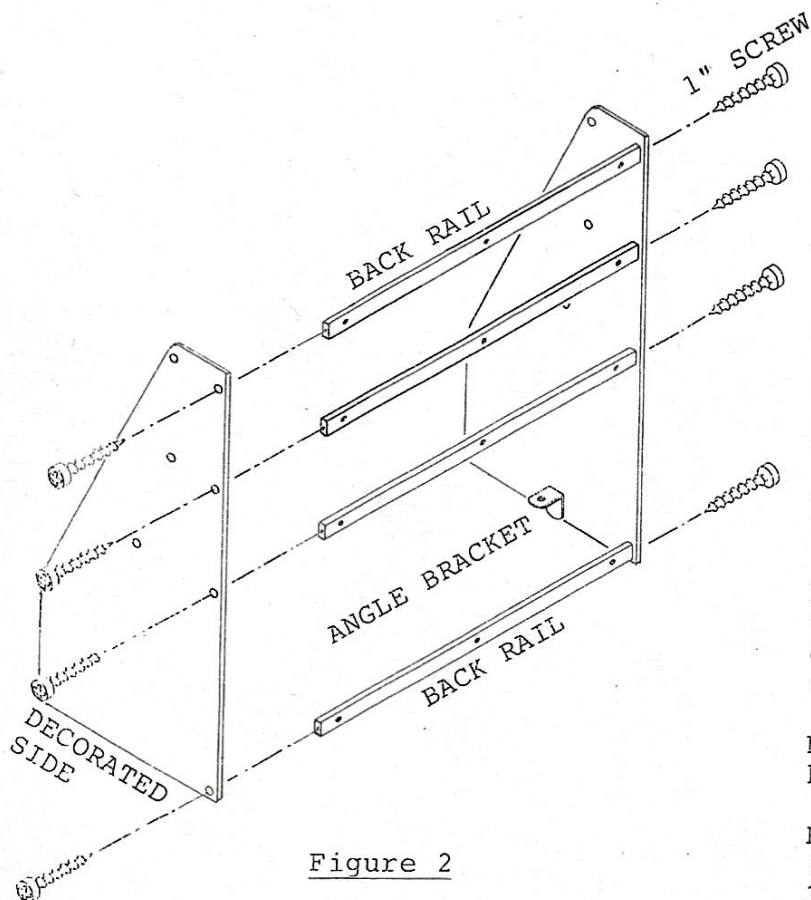
STEP 1 - FIGURE 1
ANGLE BRACKETS TO RIGHT AND
LEFT SIDES:



Fasten one ANGLE BRACKET, with the free "leg" UP, as shown, to each SIDE with $\frac{3}{8}$ " BOLTS and HEX NUTS.

Note: The ANGLE BRACKETS are attached to the undecorated side.

Figure 1



STEP 2 - FIGURE 2
BACK RAILS TO RIGHT
AND LEFT SIDES:

Turn one BACK RAIL so that the 3 holes face out.

Fasten between the SIDES at the top rear hole, so that the decorated SIDES are OUT, as shown, using (2) 1" SCREWS.

Note: The ANGLE BRACKET will be to the INSIDE.

Repeat the above procedure (Step 2), for installing 2nd. 3rd. and 4th. BACK RAILS at the lower rear holes.

Figure 2

STEP 3 - FIGURE 3
BOTTOM FRONT RAIL TO RIGHT
AND LEFT SIDES:

Turn the BOTTOM FRONT RAIL so that the groove for the FRONT PANEL is UP, and the painted surface is to the outside.

Fasten the BOTTOM FRONT RAIL between the bottom front 2 holes in the SIDES with (2) 1" SCREWS.

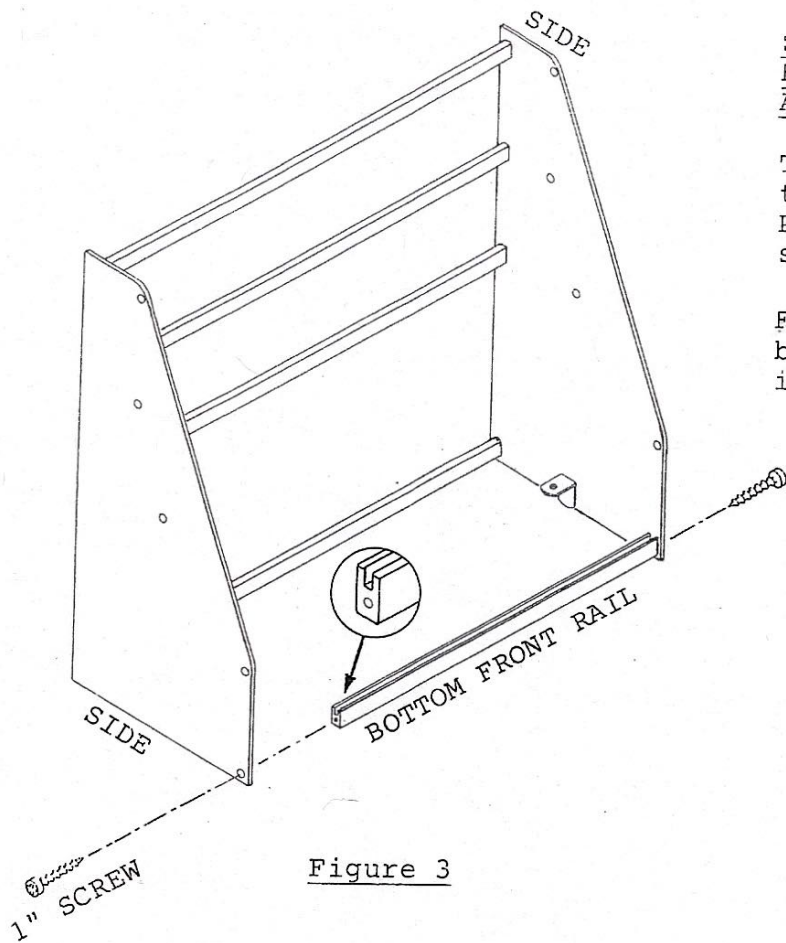


Figure 3

STEP 4 - FIGURE 4
FRONT ASSEMBLY TO SIDES:

Slide the bottom edge of the FRONT PANEL, decorated side out, into the groove in the BOTTOM FRONT RAIL, as shown.

Slide the lower GROOVED DOOR RAIL over the top edge of the FRONT PANEL and fasten between the SIDES with (2) 1" SCREWS.

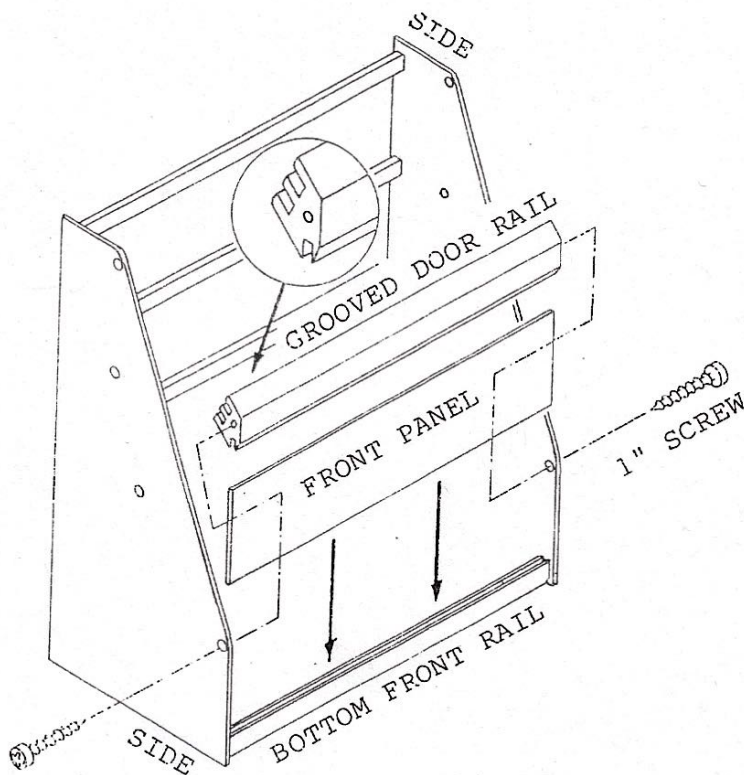


Figure 4

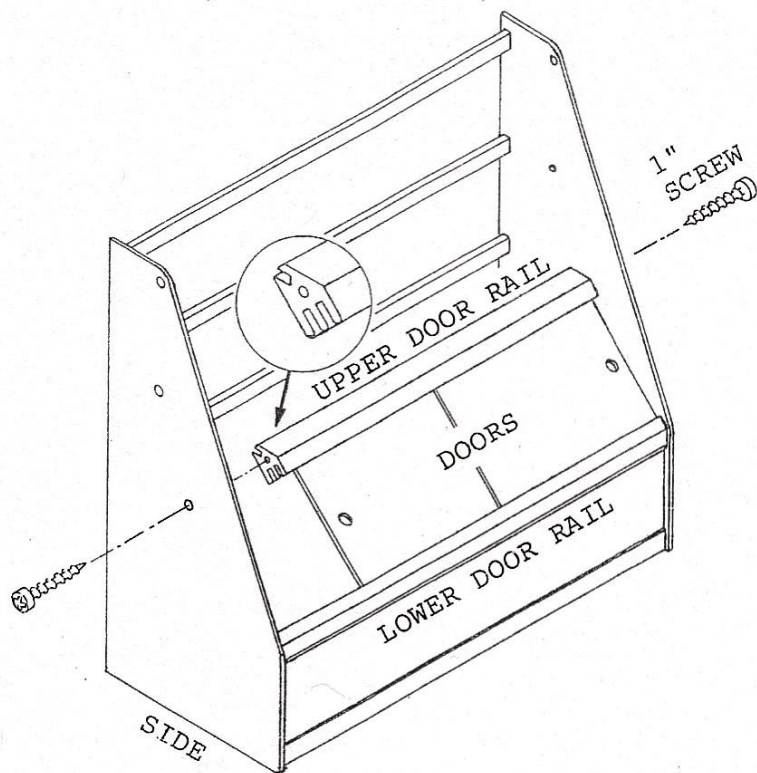


Figure 5

STEP 5 - FIGURE 5
DOORS AND UPPER DOOR RAIL
TO TOY CHEST:

Pick up and turn the DOORS so that the PAINTED SURFACES are OUT.

Insert the bottom edges (long) of the DOORS into the lower DOOR RAIL.

Pick up the upper DOOR RAIL and slide down over the top edges of the DOORS. The single groove should be to the back side, as shown.

Fasten the upper DOOR RAIL to the SIDES with 1" SCREWS.

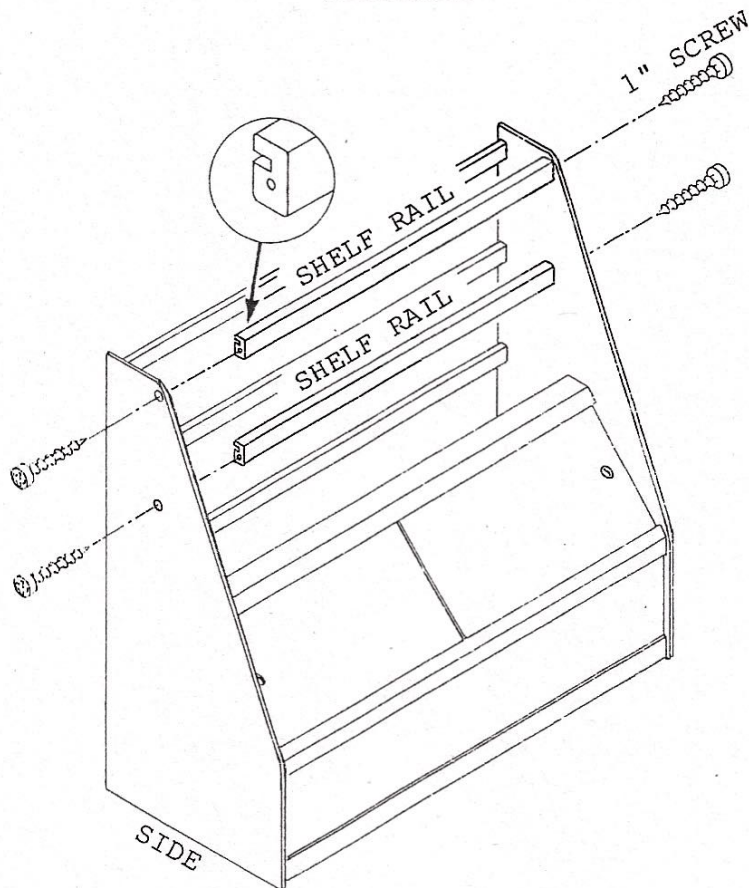


Figure 6

STEP 6 - FIGURE 6
SHELF RAILS TO TOY CHEST:

Pick up one SHELF RAIL and place between SIDES at the top front hole, with the groove on top and towards the back, as shown.

Fasten with (2) 1" SCREWS.

Repeat the above procedure (Step 6), for installing the middle SHELF RAIL.

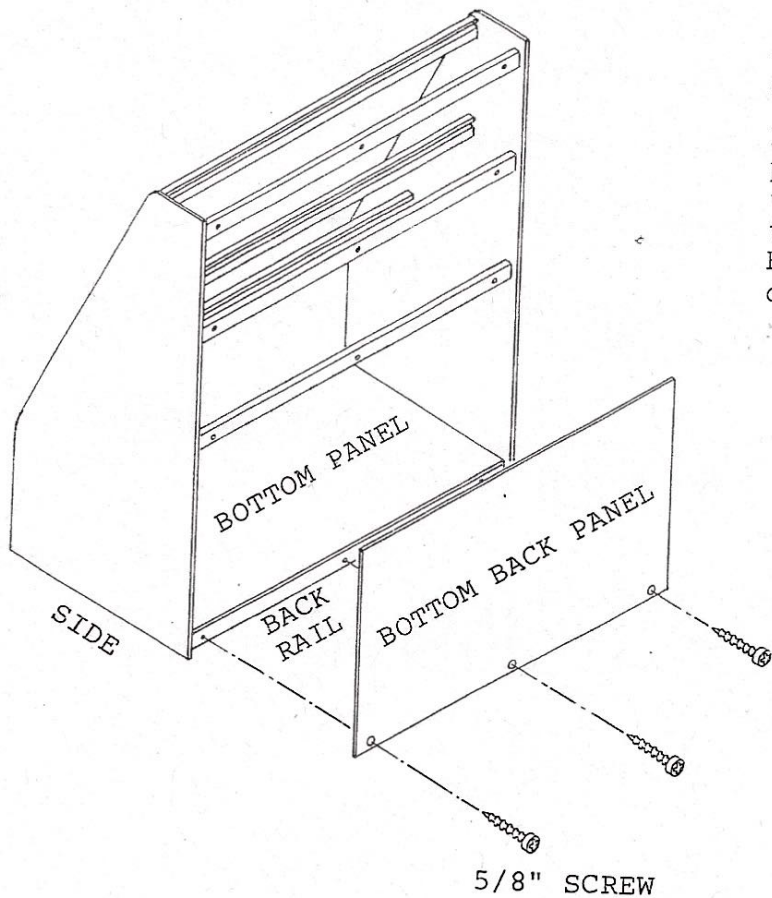


Figure 7

STEP 7 (NOT SHOWN)
BOTTOM TO TOY CHEST:

Pick up the BOTTOM PANEL and position it smooth side UP inside the TOY CHEST, resting on the top edges of the FRONT and lower BACK RAIL, and the ANGLE BRACKET on the SIDES.

STEP 8 - FIGURE 7
BOTTOM BACK PANEL TO SIDES:

Position the BOTTOM BACK PANEL with the smooth surface facing in and the edge with the 3 holes down, between the SIDE PANELS, as shown.

Fasten thru the holes in the BOTTOM BACK PANEL into the lower BACK RAIL with (3) #6 x 5/8" SCREWS.

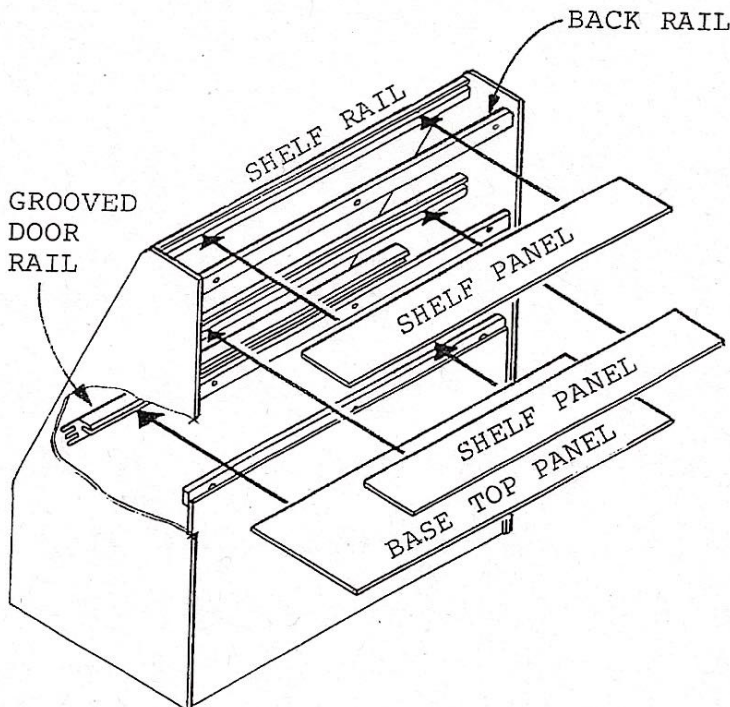


Figure 8

STEP 9 - FIGURE 8
BASE TOP PANEL AND SHELF
PANELS TO TOY CHEST:

With PAINTED side UP, slide the BASE TOP PANEL (7 7/8" WIDE) into the groove in the upper GROOVED DOOR RAIL. Rest on the top of the lowest exposed BACK RAIL.

With PAINTED side UP, slide SHELF PANEL into groove in middle SHELF FRONT RAIL. Rest on the top of the 2nd. BACK RAIL.

With PAINTED side UP, slide SHELF PANEL into groove in top SHELF RAIL. Rest on the top of the top BACK RAIL.

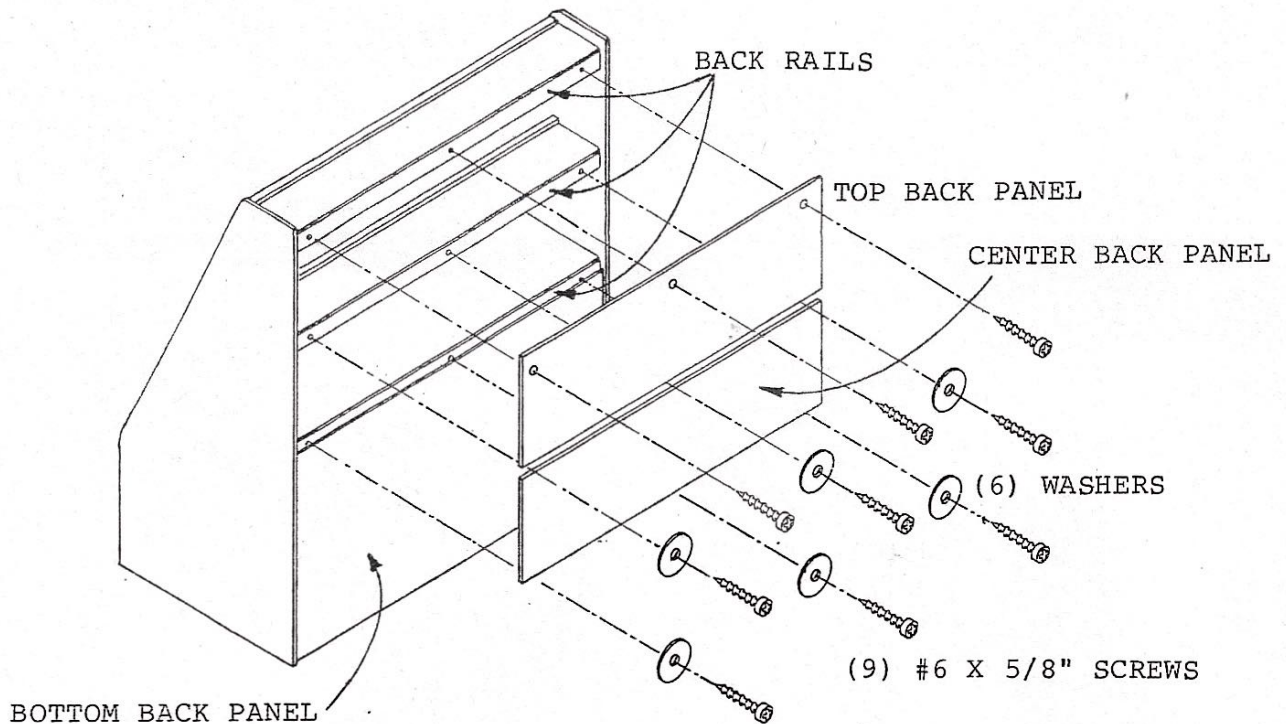


FIGURE 9

STEP 10 FIGURE 9 TOP BACK & CENTER BACK PANELS TO TOY CHEST:

Fasten the top edge of the **BOTTOM BACK PANEL** to the **BACK RAIL** with (3) washers and (3) #6 x 5/8" screws. Do not tighten the screws completely.

Position the **CENTER BACK PANEL** with the decorated side in. Rest the bottom edge of the **CENTER BACK PANEL** on top of the screws and behind the washers of the **BOTTOM BACK PANEL**. Fasten the top edge of the **CENTER BACK PANEL** to the **BACK RAIL** with (3) washers and (3) #6 x 5/8" screws. Do not tighten the screws completely.

Position the **TOP BACK PANEL** with the decorated side in, and the edge with 3 holes at the top. Rest the bottom edge of the **TOP BACK PANEL** on top of the screws and behind the washers of the **CENTER BACK PANEL**. Fasten the top edge of the **TOP BACK PANEL** to the **BACK RAIL** with (3) #6 x 5/8" screws. Finish tightening the screws left loose earlier.

IMPORTANT NOTICE TO PARENTS

To obtain the best writing and erasing performance from the **CHALKBOARD**, Please take the time to **SEASON** it as follows: Using the side of a stick of **CHALK**, apply a coating of **CHALK** to the entire **CHALKBOARD** surface by first rubbing horizontally. Apply a second coating over the first by rubbing vertically. Finally wipe the board clean with a clean, dry cloth and it will be ready for normal use.



SAFETY TIP: Please carefully check and be certain that all the nuts, bolts, washers, and screws are tightened securely so that young children can not loosen any of them and put them into their mouths!